

T1-40

A B C D E
T1-40/00 / □ / □ / □ / □

A: MEASUREMENT DIRECTION

00 omnidirectional

B: TEMPERATURE RANGE

00 -40°C ÷ +100°C

C: CERTIFICATION

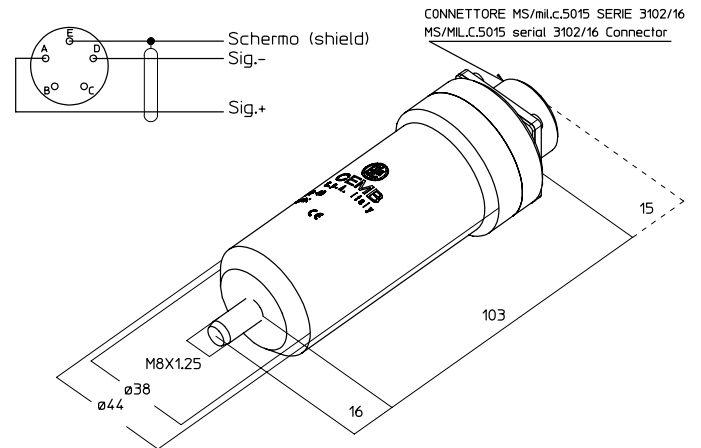
| | | | |
|---|-----------------------------|-----------------------------------|------------------|
| 0 | NONE | | |
| 2 | II 2G Ex ia IIC T6/T5/T4 Gb | II 2D Ex ia IIIC T85/100/135°C Db | (ATEX - ZONA 1) |
| 5 | Ex ia IIC T6/T5/T4 Gb | Ex ia IIIC T85°C/100°C/135°C Db | (IECEX - ZONA 1) |
| 8 | II 1G Ex ia IIC T6/T5/T4 Ga | II 1D Ex ia IIIC T85/100/135°C Da | (ATEX - ZONA 0) |
| B | Ex ia IIC T6/T5/T4 Ga | Ex ia IIIC T85°C/100°C/135°C Da | (IECEX - ZONA 0) |

D: CASING

0 ALUMINIUM
1 STAINLESS STEEL (mandatory for zone 0)

E: FIXED CONNECTOR

0 ALUMINIUM
1 PLASTIC (mandatory for zone 0)
2 7 CONTACTS



CABLES AND OPTIONAL ACCESSORIES

CABLES:

| | | |
|--|---|-----------|
| | SHIELDED CABLE 2X1 STANDARD CBL/T1-40 / S / 5 / XX (length in meters) | 53756-P |
| | SHIELDED CABLE ARMoured IN ETFE CBL/T1-40 / E / 5 / XX (length in meters) | 87SEB5827 |
| | SHIELDED CABLE 2X1 WITH METAL JACKET COVERED BY PVC CBL/T1-40 / A / 5 / XX (length in meters) | 99025-P |

CONNECTORS:

| | |
|---|-----------|
| 5 PINS STRAIGHT (standard) | 597053126 |
| 5 PINS 90° | 597053128 |
| 5 PINS PLASTIC CASE (mandatory for zone 0) | 597053127 |
| 7 PINS STRAIGHT | 597073116 |
| 7 PINS 90° | 597073118 |

OTHER:

| | |
|--|-----------|
| ZENER BARRIER Z960 (for hazardous area) | 800208960 |
| PLASTIC TAG | 040STR000 |
| STAINLESS STEEL TAG | 980710835 |



CEMB
BALANCING MACHINES

CEMB S.p.A.
Via Risorgimento, 9
23826 MANDELLO DEL LARIO (LC) Italy
www.cemb.com



Vibration analysis division:
phone +39 0341 706111
fax +39 0341 706299
e-mail: stm@cemb.com